

**Specifications**

**Model Number:** 10-0137  
**Input Voltage:** 120v AC  
**Frequency:** 50/60 Hz.  
**Lamp Types:** See Chart On Next Page  
**Certifications:** UL #E191525  
**Size:** 6.5" x 1.5" x 1.0"  
**Weight:** 10 oz.  
**Mounting:** Slotted Mounting Tabs



1. Ground case in accordance with the National Electric Code.
2. Remote mounting distance varies with lamp type, consult factory with requirements.
3. When connecting two RED wires, they must be joined to make one wire before connecting to the lampholder.
4. For miniature bipin lamps as well as medium bipin lamps, add jumper between socket contacts, of the lampholder, before connecting the RED and YELLOW wires. (See over)



<b>10-0137</b> 120V 50/60 HZ	No. 00-0267 <b>ATLANTIC ULTRAVIOLET CORPORATION</b> 375 Marcus Boulevard • Hauppauge, NY 11788 631.273.0500 • Fax: 631.273.0771 info@ultraviolet.com • www.ultraviolet.com www.buyultraviolet.com	120V INPUT: MAXIMUM CURRENT: RFL. EM: SOUND RATING: CLASS: TYPE: CIRCUIT OR TO GROUND: INSTANT START: MIN. BALLAST START: MIN. LAMP START:	HIGH POWER FACTOR 120V AC 50/60HZ 50AMP FCC Part 18A A P 1 or 2 Outdoor 600 VAC Minus 20°F See Lamp Specs	<b>Danger High Voltage!</b> Ballast case must be grounded in accordance with National Electric Code. Disconnect input power before installing or servicing. For wiring information, see instruction sheet. APPROVED FOR LAMP COMBINATIONS OF 84 MAX. WATTS OF CFBIP/COTBIP/CFBIP/CFBIP/CIRCLINE, LINEAR T9HO, T8, T8HO, T10, T10 & T12HO LAMPS, WHEN USED PER WIRING SPECS.	<b>Surelite™</b> ELECTRONIC BALLAST  FLUORESCENT LAMP BALLAST 34EF
	TYPE "HL" APPROVED SUITABLE FOR "AIR HANDLING SPACES"				

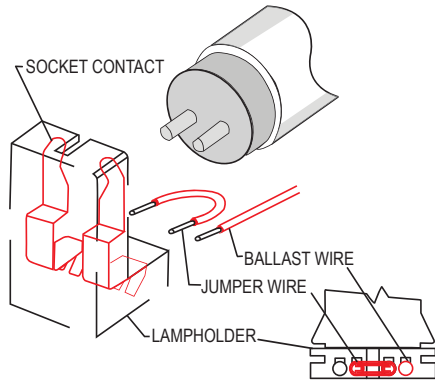
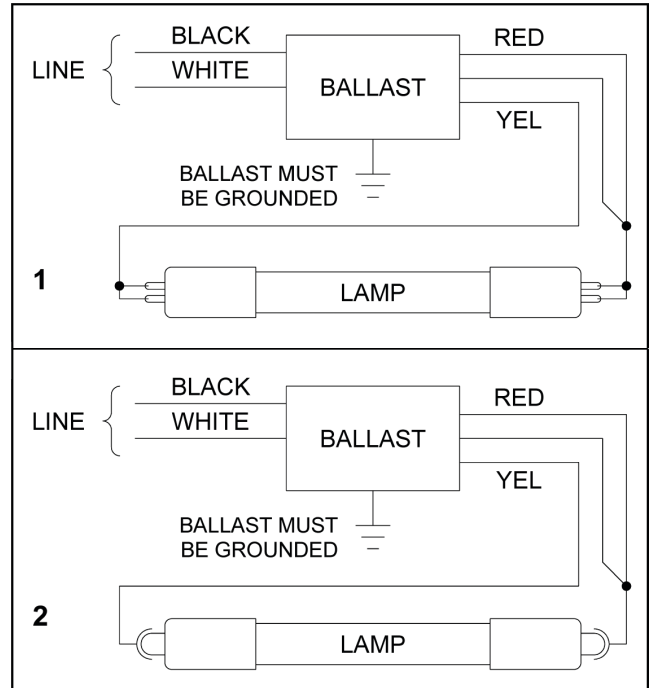
The information and recommendations contained in this publication are based upon data collected by the Atlantic Ultraviolet Corporation® and are believed to be correct. However, no guarantee or warranty of any kind, expressed or implied, is made with respect to the information contained herein. Specifications and information are subject to change without notice.

**Lamp Types**

Lamp Types	Wiring Diagram
MIGHTY★PURE® MP16A, SANITRON® S17A Lamp Part No. 05-1098-R	1
MIGHTY★PURE® MP22A, SANITRON® S23A Lamp Part No. 05-1097-R	1
MIGHTY★PURE® MP36C, SANITRON® S37C Lamp Part No. 05-1343-R	2
MIGHTY★PURE® MP49C, SANITRON® S50C Lamp Part No. 05-1334-R	2
G12 - G48T5	2
GPH212 - GPH1148T5	1

This ballast may be acceptable for use with lamps not listed here. Contact us to discuss your requirement.

**Wiring Diagrams**



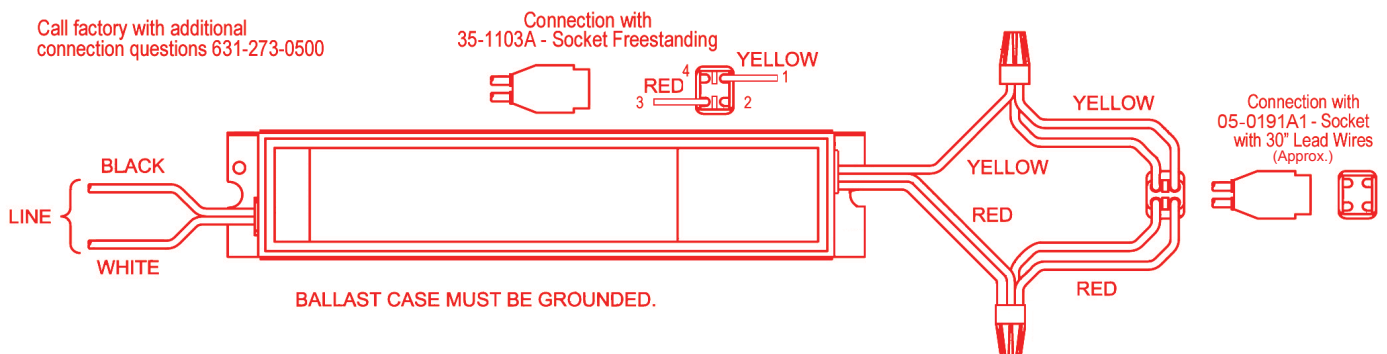
**NOTE: For 4-Pin Single Ended Lamps, See Wiring Diagram Below.**

**Wiring Jumper Detail**

For Miniature Bipin and Medium Bipin Lamps, add jumper between socket contacts, of the lampholder, before connecting the RED and YELLOW wires.

**Connections**

**4-Pin Wiring Diagram (Single Ended)**



**Typical Instant Start Ballast Connections for Preheat Lamps**

The information and recommendations contained in this publication are based upon data collected by the Atlantic Ultraviolet Corporation® and are believed to be correct. However, no guarantee or warranty of any kind, expressed or implied, is made with respect to the information contained herein. Specifications and information are subject to change without notice.