

## INSTALLATION AND OPERATING INSTRUCTIONS CB20-302E WATER FILTRATION SYSTEM

### GENERAL PRECAUTIONS

**Maximum Pressure:** 20-100 psi non-shock (1.4-6.9 bar)

**Temperature:** 35-100°F (2-38°C)

Install On Cold Water Lines Only

Installation By a Certified Installer Is Recommended

Housing Inlet & Outlet 3/4"

**Rated service flow:** 5 gpm (19 Lpm)

**Capacity:** 20,000 gal (75,700 L)

For cold water use only!

**WARNING:** This filter must be protected from freezing. Failure to do so may result in cracking of the filter and water leakage.

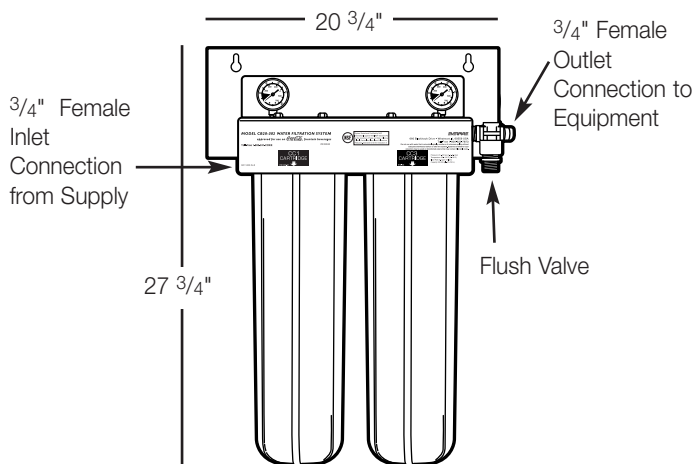
Do not install where unit is exposed to direct sunlight.

Allow a minimum of 4" clearance under the filter to facilitate cartridge change. Make certain that the installation complies with all state and local laws and regulations.

**WARNING:** Do not use with water that is microbiologically unsafe or of unknown quality without adequate disinfection before or after the system. Systems certified for cyst reduction may be used on disinfected waters that may contain filterable cysts.

**NOTE:** The carbon taste/odor cartridge may contain small amounts of carbon fines (very fine black powder) and a new cartridge, after installation, should be flushed with sufficient water to remove the fines before using the water.

### CB20-302E WATER FILTRATION SYSTEM



Mounting Depth: 9"  
Operating Weight: 60 lbs.

### SYSTEM INSTALLATIONS

**NOTE:** Always use a good grade of pipe sealant or teflon® tape on connections.

1. Reduce product weight by removing bowls from header assembly before mounting unit.
2. Determine installation location using head assembly.
3. Assemble flush valve kit per illustration in its instruction sheet.
4. Install system brackets. Mount system. Mount system to wall studs 16" on center (spacing of mounting plate holes) on other surface capable of supporting 60 pounds when system is filled with water.
5. Install system brackets. Mount system.
6. Turn off water and power supply to all beverage equipment and icemaker.
7. Connect cartridge system to feed water supply, beverage systems, and icemaker.
8. Sanitize filter bowls using dilute (0.5%) household bleach solution, Diversol™ or equivalent.
9. Handle cartridges by plastic wrap to minimize contact.
10. Lubricate "O-rings" with silicone lubricant and secure to system head. Hand tighten.
11. Cartridge flush procedure:
  - Install CC1E cartridge leaving CC3E bowl empty.
  - Flush cartridge at full flow for 5 minutes.
  - Install CC3E cartridge and flush system for 10 minutes.
12. Close valve and inspect for leaks.
13. Turn power to beverage and ice maker back on.
14. Clean up and give final inspection.
15. Obtain Manager sign-off on work confirmation form.

### REPLACEMENT CARTRIDGES

**CC1E Carbon Filter (gray end caps)**

**CC3E Cyst Filter (white end caps)**

Replace CC1E and CC3E cartridges every 12 months or 20,000 gallons (whichever comes first).

1. Turn power off to beverage equipment.
2. Turn water off to CB20-302E system.
3. Unscrew bowl assembly from header, remove exhausted cartridge and discard. **CAUTION: Bowl is heavy.**
4. Unwrap new cartridge and place in bowl. Screw bowl into appropriate head on system.
5. Turn on water and flush cartridges. (Refer to cartridge flush procedure, step 11 under System Installations)

For assistance or to locate the nearest dealer for replacements parts or service call:

Everpure Customer Service 1-800-323-7873  
Everpure Technical Service 1-800-942-1153

## PERFORMANCE DATA

### CB20-302E System Replacement Cartridge Kit EV910521

1- CC1E Replacement Cartridge (gray end caps)

1- CC3E Replacement Cartridge (white end caps)

## FEATURES

- Finely polishes treated water to premium quality for drinking and cooking.
- Reduces disinfectant chlorine taste & odor and chloramine taste & odor.
- Reduces dirt, rust, and other particulates such as oxidized iron, manganese, and sulfides.
- Reduces parasitic protozoan cysts such as *Giardia*, *Entamoeba*, *Cryptosporidium*.
- Reduces common earthy, moldy, fishy tastes and odors.

## OPERATING SPECIFICATIONS

**Capacity:** 20,000 gallons (75,700 L)

**Pressure requirement:** 20-100 psi (1.4-6.9 bar), non-shock

**Temperature:** 35-100°F (2-38°C)

**Flow Rate:** 5 gpm (19 Lpm)

**Operating Weight:** 60 lbs.

## GENERAL INSTALLATION/OPERATION/ MAINTENANCE REQUIREMENTS

- Mount system to wall studs 16" on center (spacing of mounting plate holes) or other surface capable of supporting 60 pounds when system is filled with water.
- Connect water supply to "inlet of CB20-302E system"
- Connect outlet water to beverage equipment
- Press red pressure relief to purge air
- After installing the CC1E cartridge, flush cartridge at full flow for 5 minutes. Install CC3E and flush system for 10 minutes
- Replace cartridges when capacity is reached, or when flow becomes too slow, but at least annually

## SPECIAL NOTICES

- Installation instructions, parts and service availability, and standard warranty are included with the product when shipped. Installation by certified installer is recommended.
- This drinking water system must be maintained according to manufacturer's instructions, including replacement of filter cartridges.
- The contaminants or other substances removed or reduced by this water treatment system are not necessarily in your water.
- Check for compliance with state and local laws and regulations.
- Testing was performed under standard laboratory conditions; actual performance may vary.



**EVERPURE, LLC**  
1040 Muirfield Drive  
Hanover Park, IL 60133  
TEL 800-323-7873

Customer Service  
FAX 800-942-0081

Visit us online at: [www.everpure.com](http://www.everpure.com)

In Europe:  
**EVERPURE EUROPE NV**  
Toekomstlaan 30  
B-2200 Herentals  
Belgium  
Tel 32 14 28 35 00  
FAX 32 14 28 35 05

In Japan:  
**EVERPURE JAPAN, INC.**  
Hashimoto MN Bldg. 7F  
3-25 Hashimoto Sagamihara-S  
Kanagawa 229-1103  
Japan  
Tel 81-(0)42-7765-3011  
FAX 81-(0)42-775-3015