

# EcoFast®

Installation and Operating Instructions

## EF300-DC

Direct Connect™ Filter System for use with bathroom faucet



## SAFETY INFORMATION

The EF300-DC system is designed for use in filtering potable water for in home use. This is a point of use system typically installed under a sink.

- ⇒ Installation and use **MUST** comply with all state and local plumbing codes
- ⇒ Protect the filter from freezing
- ⇒ Do not install where temperatures will exceed 110°F
- ⇒ **DO NOT INSTALL ON HOT WATER SUPPLY LINES.**
- ⇒ **DO NOT INSTALL IF PRESSURE EXCEEDS 125 psi. If pressure exceeds 80 psi, you must install a pressure limiting valve. Contact a local professional plumber if you have any uncertainty.**
- ⇒ The filter cartridge must be replaced every 6-12 months; at the rated capacity or if a noticeable reduction in flow occurs.
- ⇒ Failure to follow instructions will void warranty.
- ⇒ Install with the inlet and outlet ports as labeled. Make sure not to reverse connections

### **Tools Required for Installation (Not supplied)**

- ◆ **Adjustable wrench**
- ◆ **Cordless drill**
- ◆ **Phillips head screw-driver**
- ◆ **Razor knife or tube-cutter**

## INSTALLATION INSTRUCTIONS

1. Turn on bathroom faucet (cold) and then close the cold water supply valve to relieve water pressure.
2. Select the desired location for the filter system. NOTE: This system can either be mounted to an interior wall surface or it can installed with the system placed on the floor of the cabinet– vertical only.

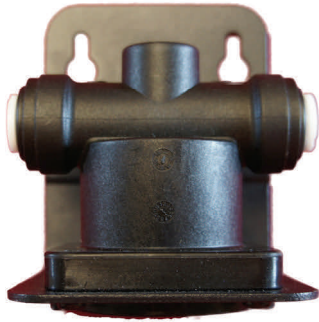
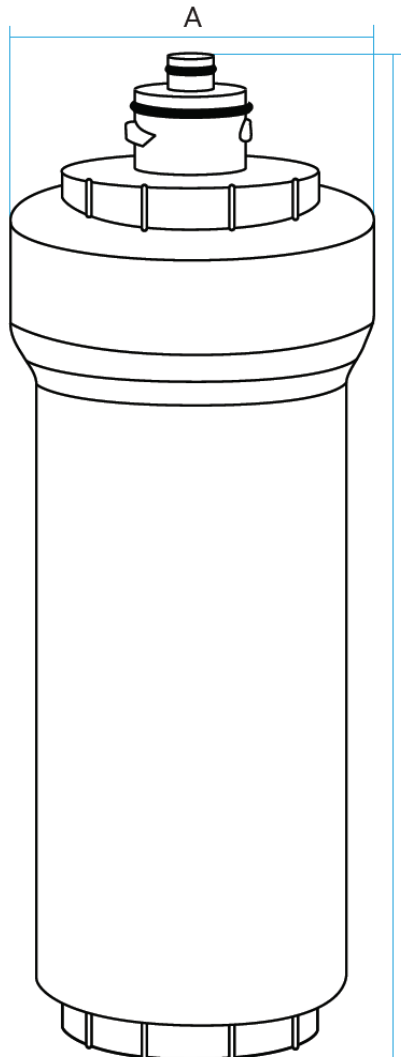


Figure 1

You will be connecting to the existing line with 3/8" tubing and fittings.

A Dimensions: 2.75 inches



B Dimensions: 11.75 inches

3. If mounting to interior wall; using the filter head (Figure 1) as a guide, mount the filter head to the wall with the supplied mounting screws. Allow 3 inches of clearance from bottom of the filter for ease of filter removal.
4. Place a towel around the supply valve and then proceed to remove the cold side hose between your cold water supply valve to your bathroom faucet.
5. Install the female adapter fitting to the male thread on the cold water shut-off valve (figure 2) This should be a secure fit. **DO NOT OVERTIGHTEN.**

Determine the length of tubing you will need from the filter head **INLET** to the adapter by holding the tubing in place. Do not kink the tubing as this will impede water flow. Cut the desired length necessary for connection making sure to cut tubing straight with razor knife or tube cutter.

6. Insert the tubing from the adapter (Figure 2) to the **INLET** side of the filter head. (ARROW POINTING INWARD TOWARD THE CENTER) SEE PAGE 5- "Using Push-In Fittings."

7. Locate the Male threaded adapter (Figure 3). Connect this adapter to the cold water hose disconnected in Step 4.

DO NOT OVERTIGHTEN.

8. Determine the length of the remaining tubing required to connect from the filter head **OUTLET** to the adapter by

Insert the tubing into the adapter (SEE PAGE 5- "Using Push-In Fittings.")

Then insert the tubing into the **OUTLET** side of the filter head (ARROW POINTING AWAY FROM CENTER).

Figure 2.

Female Adapter

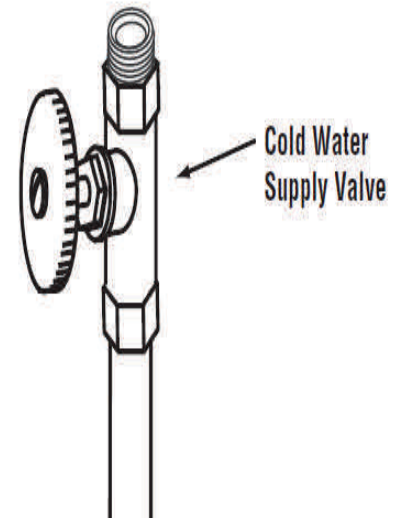
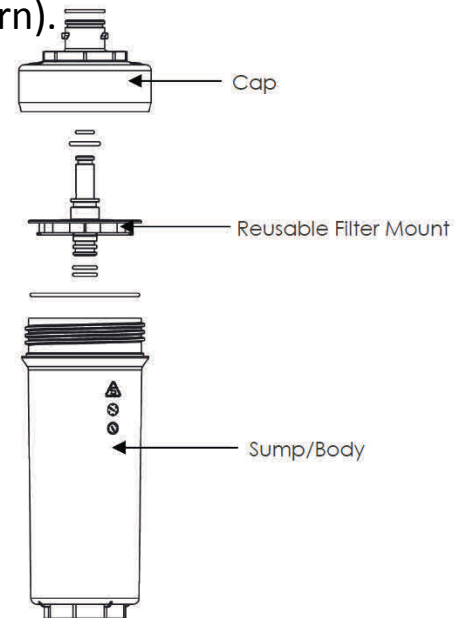


FIGURE 3

Male Adapter



9. Remove the sanitary cover from the cap. Ensure the filter mount O-rings are protruding from the top of the Cap. Unscrew the Cap from the sump. The filter mount will still be attached to the cap at this time. Take protective wrapping off of the filter cartridge and place into the sump. Proceed to thread the Cap (with filter mount still attached) back onto the sump until tight. Moisten the O-rings with water. DO NOT use any petroleum products to lubricate.
10. Align assembled filter with the lugs on the cap end facing the front and back of the head. Push the cap end into the head and then proceed to twist the assembly clock-wise 90 degrees to seal. ( A Quarter Turn).  
The filter is now installed.



11. Turn on the cold water supply valve and open the faucet to flush air from the system. Run water for 2-3 minutes to pre-condition the filter. Close the faucet. The system is now under pressure and can be inspected for leaks. Repair any leak before continuing use.
12. Flush the system twice for 2-3 minutes before initial use.

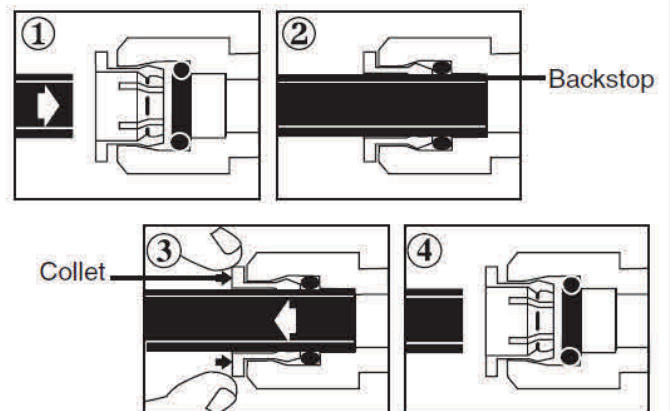
### ***“Using Push-In Fittings”***

#### **To Attach Tubing**

- (1) Push tubing in as far as it will go.**
- (2) Tubing must be inserted past o-ring and hit backstop.**  
**Pull tube to ensure it is secured.**

#### **To Release Tubing**

- (1) Push in collet to release tubing.**
- (2) With collet held, pull tubing straight out.**



### **CAUTION**

To reduce the risk associated with property damage due to water leakage:

- Ensure all tubing and fittings are secure and free of leaks.

## REPLACEMENT FILTER INSTRUCTIONS

1. Place towel under the filter system to collect any residual water during filter change.
2. Twist the filter housing counter-clockwise 90 degrees/a quarter turn to the right and separate the housing from the head. The head has an internal shut-off built in but there will be a momentary water spillage from the depressurizing of the valve. This is normal.
3. Remove the cap from the housing/sump by unscrewing it. Separate the internal filter from the filter mount and discard. Replace with new filter cartridge; re-attaching the filter mount to the filter cartridge, placing into the housing/sump and reattaching and screwing down tightly the cap.
4. Align assembled filter with the lugs on the cap end facing the front and back of the head. Push the cap end into the head and then proceed to twist the assembly clock-wise 90 degrees to seal. ( A Quarter Turn). The filter is now installed.

Turn on the cold water supply valve and open the faucet to flush air from the system. Run water for 2-3 minutes to pre-condition the filter. Close the faucet. The system is now under pressure and can be inspected for leaks. Repair any leak before continuing use.

5. Flush the system twice for 2-3 minutes before initial use.

## LIMITED WARRANTY

CFCI warrants this product to be free from defects in material and manufacture for a period of 3 years from date of purchase to the end-user. This includes the head and bracket, cap, filter mount and housing. O-rings should be replaced if there are any signs of damage.

Filter is warranted for a period of 3 months from date of purchase against defects in workmanship only.

CFCI MAKES NO OTHER WARRANTIES OR CONDITIONS, EXPRESS OR IMPLIED, INCLUDING, BUT NOT LIMITED TO, ANY IMPLIED WARRANTY OR CONDITION OF MERCHANTABILITY OR FITNESS FOR A PARTICULAR PURPOSE OR ANY IMPLIED WARRANTY OR CONDITION ARISING OUT OF A COURSE OF DEALING, CUSTOMER OR USAGE OF TRADE. If the product fails to satisfy the limited warranty during the warranty period, CFCI will repair or replace the product at its discretion.

### **THIS WARRANTY DOES NOT COVER ANY LABOR.**

Limitation of Liability: CFCI will not be liable for any loss or damage arising from this product, whether direct, indirect, special, incidental, or consequential, regardless of the legal theory asserted, including warranty, contract, negligence or strict liability. Some states and countries do not allow the exclusion or limitation of incidental or consequential damages, so the above limitation or exclusion may not apply to you.



Ceramic Filters Company, Inc.  
11617 Wamplers Lake Rd  
Brooklyn, MI 49230 USA