



**MODEL HWF172 Water Sentry VII™**

**GENERAL**

Designed to remove lead particles and chlorine. Also reduces odors and discoloration from incoming water.

Features include Quick-Disconnect, ¼ turn installation. Automatic inlet shut-off valve that closes when filter is removed. Outer protective wrap. Spun Polypropylene prefilter mesh to prevent large, coarse sediment and particles from entering and clogging filter media.

High-grade filter is made with activated carbon and patented ATS lead-removal media. Radial flow-thru design provides more surface area for untreated water while final filter mesh prevents loose carbon from entering water. Cap and housing shall be made of rust and corrosion free plastic. Lead reduction filter shall be Halsey Taylor Water Sentry VII.

**Designed specifically for use with the following series of Halsey Taylor water coolers:**

HAC, HACBL, WM\*\*, SCWT\*\* series, S series and WMBL. Can also be used on OVLSE, OVLER, HRF, RC & BFMR units but must be mounted into the wall behind the unit's backplate. **CANNOT** be used in the HTV, SW, WC, HBW or the unrefrigerated versions of the HRF and OVL series.

**\*\*For water cooled models contact the factory.**

**RECOMMENDED USE CONDITIONS**

Capacity .....1,500 Gallons (5678 L)  
Flow rate .....0.75 gpm (2.8 l/m)  
Temperature .....40-120°F (4 - 49°C)  
Maximum Pressure .....105 psi (724 Kpa)  
Minimum Pressure .....20 psi (138 Kpa)

**PERFORMANCE TEST CONDITIONS\***

Capacity .....1,500 Gallons (5678 L)  
Flow rate .....0.75 gpm (2.8 l/m)  
Pressure .....60 psi (4.2 Kg/cm<sup>2</sup>)  
Temperature .....68-70°F (20-21°C)

\*Performance will vary depending on local water conditions.

**WATER CONNECTION**

- Water Inlet for ¾" O.D. Tube
- Water Outlet for ¼" O.D. Tube

**STANDARDS**

This filter has been tested to the following NSF International standards: NSF/ANSI Standards 42 Chlorine, Particulate, and Taste and Odor. NSF/ANSI Standard 53 for Reduction of Lead.

**KIT CONSISTS OF:**

- Filter
- Filter head
- Mounting bracket
- ¼" polytubing, connectors and screws
- Installation instructions
- Performance Data Sheet

**Shipping Weight:** 4 lbs.

**55897C REPLACEMENT FILTER**

Replacement filter for Water Sentry VII. Replacement instructions included. Filter should be replaced every 1,500 gallons (5678 liters) or approximately one (1) year after installation. Use part # 55897C when ordering replacement filter.

**98262C FILTER MONITOR**

Optional accessory monitors the number of gallons used for determining when to change filter. When a filter change is due, the monitor will beep when water is flowing. Monitor operates on 2 AA alkaline batteries (not included). Installation instructions included.

NOTE: Continued product improvement makes specifications subject to change without notice. See Halsey Taylor website for most current spec sheet.

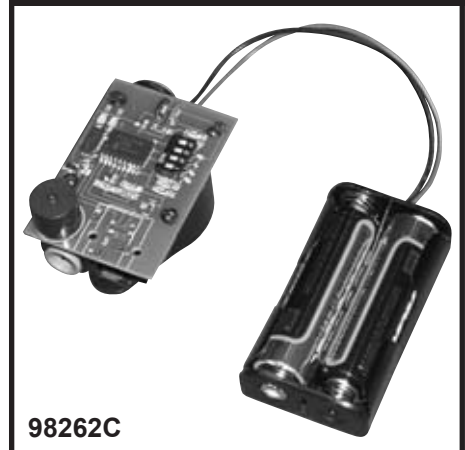
**Reduction Filter**



**Replacement Filter**



**Filter Monitor**



JOB NAME: \_\_\_\_\_

\_\_\_\_\_

ENGINEER/CONTRACTOR NAME: \_\_\_\_\_

\_\_\_\_\_

APPROVAL: \_\_\_\_\_

DATE: \_\_\_\_\_

## HWF172 Water Sentry VII™

### Lead Reduction Filter

(CONTINUED)

#### INSTALLATION INSTRUCTIONS

The filter must be installed in compliance with all state and local laws and regulations governing the installation and use of this product.

Disconnect electrical power and close water supply valve before proceeding.

The filter must be installed on the water inlet line.

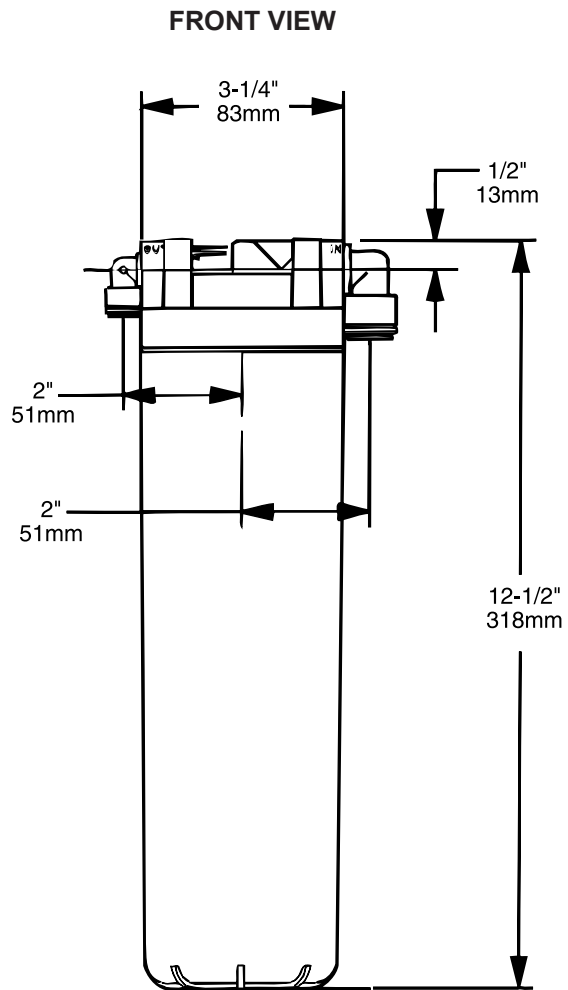
Flow indicator (arrow) on filter should point in the same direction as the water flow.

After installing new filter, open water supply valve and check for leaks. Flush system sufficiently (approximately 3 minutes) to effectively remove small residue of carbon fines.

**NOTE:** A water shutoff valve should be installed on the incoming water line to aid in future servicing of filter.

#### CAUTION

- Filter is designed to reduce lead from incoming water to levels below EPA requirements. Do not use with water that is microbiologically unsafe or with water of unknown quality without adequate disinfection before or after the system.
- Use on water inlet line only. Do not allow installed filter to freeze. Do not attached hot water line to filter.
- Filter should be replaced every 1,500 gallons (5678 liters) or approximately one (1) year after installation.



#### WARRANTY

The Halsey Taylor Water Sentry® VII is warranted to be free from defects in material and workmanship for a period of one year from the date of installation. Warranty is limited to repair or replacement of defective component.

*Halsey Taylor*®