



EV9256-17

QL1 Single Head

Filter head exclusively for Everpure replacement cartridges

QL1 Single Head: EV9256-17



BENEFITS

Commercial quality filter head is designed exclusively to fit Everpure filter cartridges

Includes mounting bracket and 3/8" John Guest fittings

Solid durable construction is ideal for foodservice and vending applications

All wetted parts have passed NSF extraction tests

Engineered for durability, strength and longevity

Will not corrode

Low profile is ideal for locations where mounting space is at a premium

Does not include water shut-off

INSTALLATION TIPS

Mounts directly onto flat surface

Install vertically so cartridge hangs down

Allow 2-1/2" clearance below the cartridge for easy cartridge replacement

Flush filter by running water through filter according to cartridge instructions

OPERATION TIPS

Change cartridges on a regular 6 month preventative maintenance program

Change cartridges when capacity is reached or when pressure decreases

Always flush the filter cartridge at time of installation and cartridge change

APPLICATION/SIZING

For foodservice, vending and OCS applications

Capacity: varies according to filter cartridge used

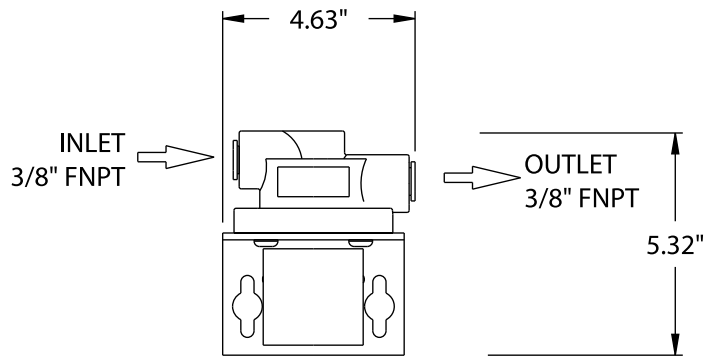
QL1 Single Head

SPECIFICATIONS

Dimensions:

5.32"H x 4.63"W x 4"D

No electrical connection required



WARRANTY

Everpure water treatment systems (excluding replaceable elements) are covered by a limited warranty against defects in material and workmanship for a period of five years after date of purchase. Everpure replaceable elements (filter cartridges and water treatment cartridges) are covered by a limited warranty against defects in material and workmanship for a period of one year after date of purchase. See printed warranty for details. Everpure will provide a copy of the warranty upon request.

EVERPURE®

Worldwide Headquarters:

EVERPURE, LLC
1040 Muirfield Drive
Hanover Park, Illinois 60133
Toll Free (800) 323-7873
Tel (630) 307-3000
Fax (630) 307-3030
<http://www.everpure.com>

In Europe:

Pentair Water Belgium B.V./B.A.
Industriepark Wolfstee
Toekomstlaan 30
B- 2200 Herentals
BELGIUM
TEL: +32.(0).14.283.500
FAX: +32.(0).14.283.505

In Japan:

Hashimoto MN Bldg. 7F
3-25-1 Hashimoto Sagamihara-Shi
Kanagawa 229-1103
JAPAN
TEL: 81.(0)42.775.3011
FAX: 81.(0)42.775.3015